



EnergyMetering

WATER METER BOX

Water meter installation box
for domestic water meters

High grade plastic housing



ZENNER
All that counts.

Water meter box

Water meter installation box for domestic water meter

Our water meter installation boxes are made of high grade plastic. Due to the heavy duty construction they are very robust and prepared to withstand manipulation attempts. As there is no scrap value of this surface box thefts are kept to a minimum. The box is available for meters with a connection from 1/2" to 6/4". It can easily be installed onto galvanised steel, copper and polypropylene pipe.

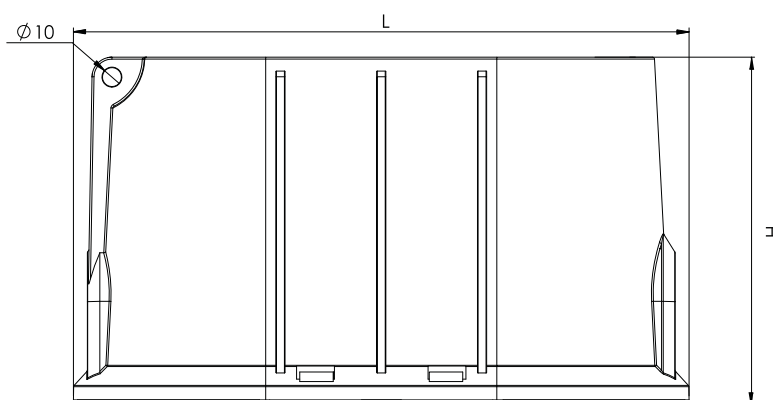
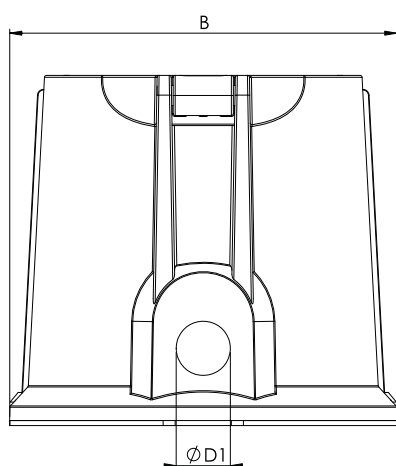


Performance characteristics in overview

- Made of high grad plastic
- Heavy duty construction
- No value for thieves
- For domestic water meters

Technical data

Length	L	mm	309
Height overall	H	mm	174
Height inner		mm	143
Width	W	mm	193



Subject to modifications and errors excepted! 081217_EN

ZENNER International GmbH & Co. KG

Römerstadt 4
D-66121 Saarbrücken

Telephone +49 681 99 676-0
Fax +49 681 99 676-100

E-Mail info@zenner.com
Internet www.zenner.com